



AURORA
LIGHTING TOWERS

AURORA LIGHTING TOWERS
Brand of Green Power Systems srl
Loc. Maiano sn 61028
Sassocorvaro Auditore (PU)
Italia
MADE IN ITALY

P +39 0722 726411
F +39 0722 720092
W www.auroralightingtowers.it
E info@auroralightingtowers.it
W www.eptagruppo.com

SCHEDA TECNICA - TECHNICAL DATA SHEET - FICHE TECHNIQUE

ALPHA K2-L 4x160 - S



Multiled 4x160W



8,5 mt. Max Height



3300 mq. Lighting Area



Manual Lifting



70 h Autonomy



Low Emissions



350° Rotation



Light Sensor



Slow Trailer

PRESTAZIONI – FEATURE – PERFORMANCE

Fari	Floodlights	Projecteurs	4 x 160W Multiled
Area illuminata	Lighting area	Surface éclairée	3300 mq
Lumen	Lumen	Lumen	81400
Temperatura di funzionamento	Operating temperature	Température de fonctionnement	-25°/ 50° C
Centralina	Controller	Coffret	DEEP SEA 3210
ON/OFF per ogni faro	ON/OFF each floodlight	ON/OFF chaque lampe	STD
Prese extra	Extra sockets	Extra prise	1 x 16A CEE / 230 V
Tensione	Voltage	Voltage	230V
Frequenza	Frequency	Fréquence	50Hz
Rumorosità a 7 mt.	Sound level at 7 mt.	Niveau de bruit à 7 mt.	70 dB (A)

PALO – MAST – MÂT

Altezza massima	Max height	Hauteur max	8,5 m
Sollevamento	Lifting	Levage	Manuale – Manual - Manuel
Sezioni del palo	Tower Section	Extensions	4
Rotazione	Turning angle	Rotation	350°
Resistenza massima al vento	Max wind rating	Résistance resistance au vent	100 Km/h

CONSUMI – CONSUMPTION – CONSOMMATION

Capacità serbatoio	Fuel tank capacity	Capacité du réservoir	40 L
Autonomia con luci accese	Running time only lights	Autonomie avec lampes allumées	70 Hours

MOTORE – ENGINE – MOTEUR

Modello	Model	Moteur modèle	Kohler 15LD350
Emissioni	Emissions	Émissions	STAGE V
Tipo di combustibile	Fuel type	Type de carburant	Diesel
Cilindrata	Displacement	Cylindrée	349 cc
Tipo di raffreddamento	Cooling type	Type de refroidissement	Aria – Air
N. cilindri	Cylinders	N. de cylindres	1
Regolazione	Regulation	Régulation	Meccanica – Mechanic - Mécanique
Regime	Speed	Vitesse	3000 rpm
Consumo	Consumption	Consommation	0,55 l/h

ALTERNATORE – ALTERNATOR – ALTERNATEUR

Costruttore e modello	Make and model	Fabricant et modèle	Linz Electric – Alumen
Potenza	Rating power	Puissance	4,2 KVA
Classe di isolamento	Insulation class	Classe d'isolation	H
Grado di protezione	Protection level	Indice de protection	IP21
Precisione della tensione	Voltage accuracy	Précision de la tension	±5%

CARRELLO – TRAILER – CHARIOT

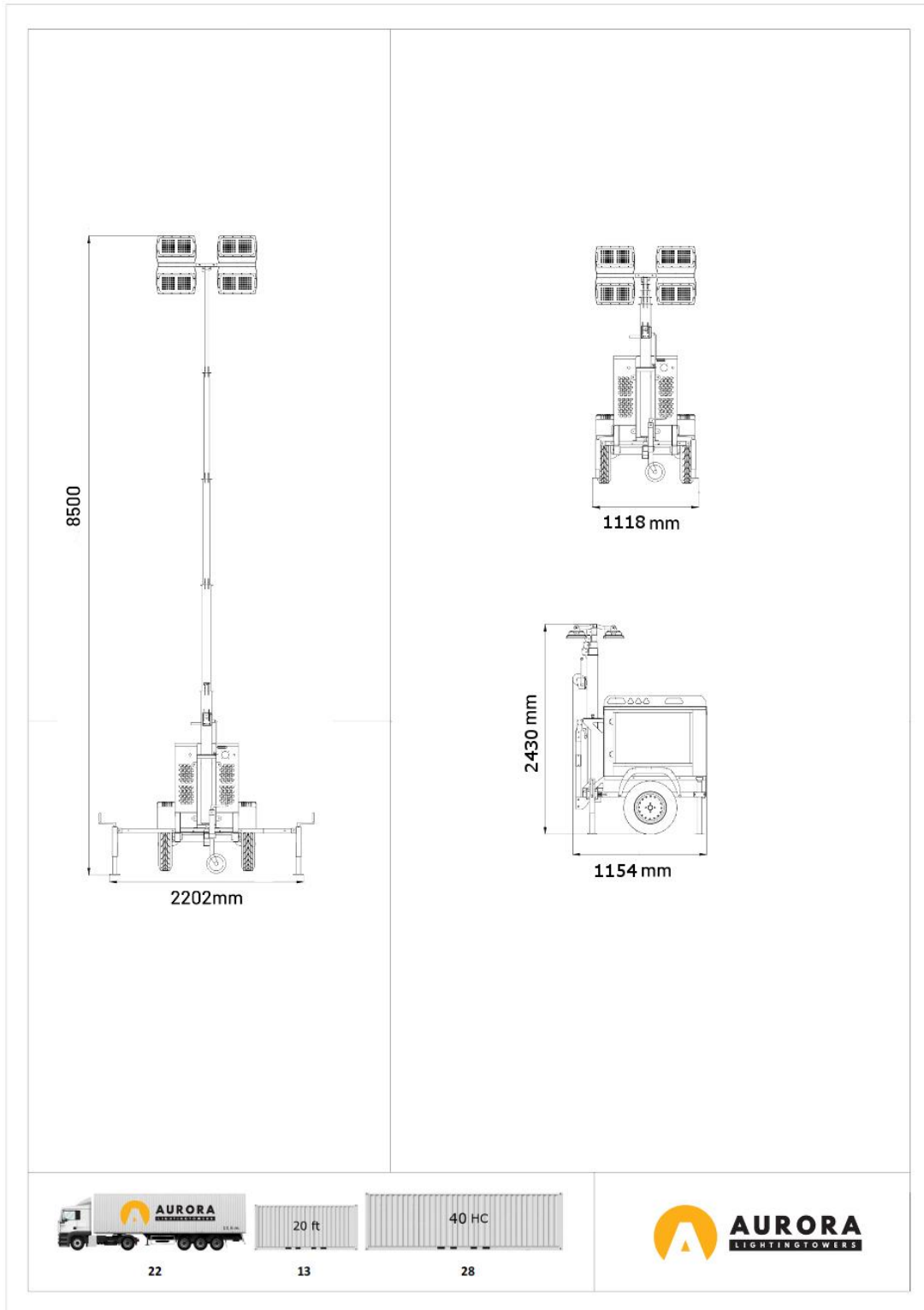
Assale ammortizzato	Axle with suspension	Essieu à suspension	STD
Pneumatici	Tyres	Pneus	155 80 R13
Stabilizzatori manuali	Manual stabilizer	Stabilizateurs manuel	4 + 1 (Ruota)
Guide passaggio forche	Forklift pockets frame	Chassis avec passage des fources	STD
Vasca raccolta liquidi motore e	Bounded tank engine liquids and	Bac de retention liquides moteur et	STD

carburante	fuel	carburant	
------------	------	-----------	--

DIMENSIONI E PESO - DIMENSIONS AND WEIGHT - DIMENSIONS ET POIDS

Dimensioni torre chiusa	Retracted dimension	Dimensions de transport	1154x1118x2430 mm
Dimensioni torre aperta	Max dimension working mode	Dimensions ouvert	2030x2202x8500 mm
Peso a secco	Dry Weight	Poids a Sec	560 kg approx.

DISEGNI - DRAWS - DESSINS





- Le specifiche tecniche sono soggette a variazioni senza preavviso
- The technical specifications are exposed to alterations without notice
- Nous nous réservons le droit de changer les spécifications techniques sans préavis

AURORA LIGHTING TOWERS
Brand of Green Power Systems srl
Loc. Maiano sn 61028
Sassocorvaro Auditore (PU)
Italia
MADE IN ITALY

P + 39 0722 726411
F + 39 0722 720092
W www.auroralightingtowers.it
E info@auroralightingtowers.it
W www.eptagruppo.com